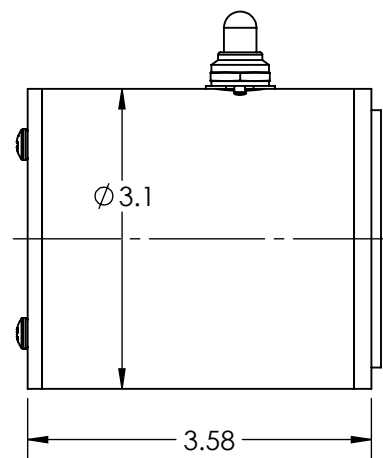
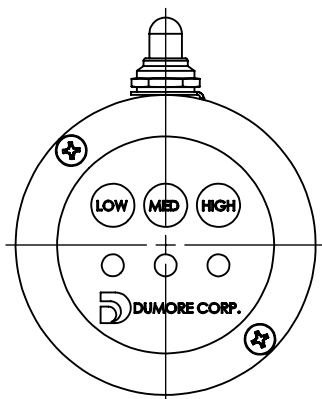
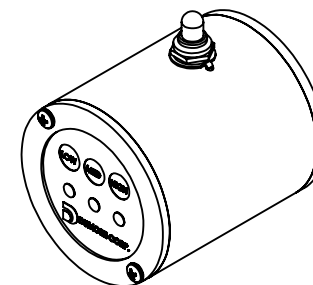


DMC SINGLE QUADRANT MICROPROCESSOR DC MOTOR CONTROLLER	
INPUT VOLTAGE	90-130VAC
MAX OUTPUT CURRENT	3 A CONT.
PWM RATE	22 KHz, 0-100% DUTY CYCLE
CURRENT LIMITING	YES
SPEED	LOW = 50%, MED = 75%, HIGH = 100%
MOTOR HP RATING	1/50 TO 1/4 HP @ 115 VAC 1 Ph



DESIGN APPROVAL	DATE	REV.	DESCRIPTION	DATE	ECN
DES. ENG.			UNSPECIFIED TOLERANCES .XXX ± .005 .XX ± .015 .X ± .050 MACHINE FINISH ± 1° ANGLES .005 TIR CONCENTRICITY .001 PER IN. SQUARENESS	PART NO. DMC DUMORE CORPORATION 1030 VETERANS ST. MAUSTON, WI 53948	This Drawing is the property of the Dumore Corporation. It must not be reproduced or copied without written permission.
MFG. ENG.					
Q.C.					
SALES					
DO NOT SCALE DRAWING		REMOVE ALL BURRS BREAK SHARP CORNERS			
MATERIAL SPEC.		Req. per Piece	RECEIVED AS	DWG. BY	DATE
		Pattern No.		CKD. BY	DATE
					SCALE 1:2